

Owner's Manual

UNITED Model SFH-1172

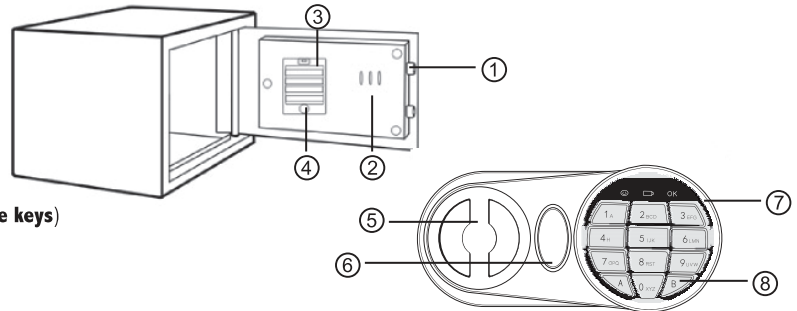
KALLIOPI KARYDA & CO., LP
87A, 17th Noemvriou str, P.C. 55534
Thessaloniki – Greece
T: +302316006600 | F: +302316006650

BOX CONTENTS

- Safe – (Interior 0.15 cu. ft.)
- 2 mounting bolts
- 4 AA batteries
- 2 emergency override keys
- Scratch resistant carpet

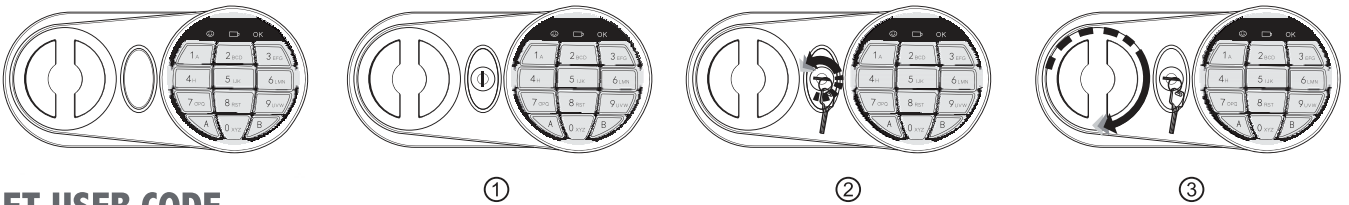
PARTS

- 1 Locking bolts
- 2 Storage hooks (**NOT for override keys**)
- 3 Battery compartment
- 4 Reset Button
- 5 Master knob
- 6 Emergency override key cover
- 7 Control panel
- 8 (A) (B) Enter Buttons



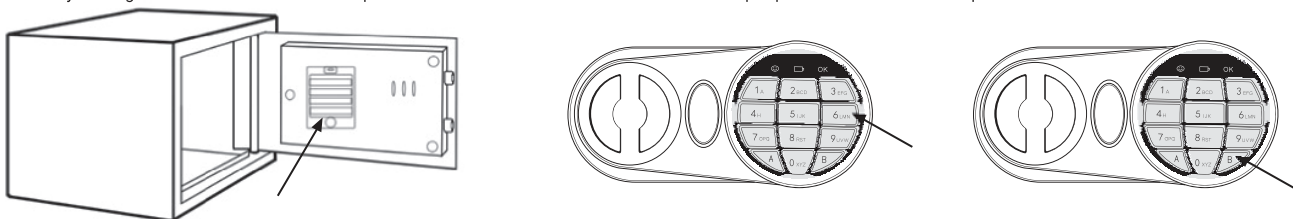
OPEN THE SAFE – USING EMERGENCY OVERRIDE KEY

- 1 Remove the rubber emergency override key cover from front of safe
- 2 Insert override key into lock and turn key clockwise
- 3 Turn the master knob clockwise. Pull door open



SET USER CODE

- 1 Open safe with emergency override key
 - 2 Open the battery compartment and add the 4 AA batteries. Next, locate the red button on the inside
 - 3 Press and hold the red reset button until you hear a beep and the yellow light comes on
 - 4 Input your chosen 3-8 digit code then press (A) or the (B) button. Once the code is entered properly you will hear a beep
 - 5 Try the code with the door still open to ensure that it was accepted
- * If the yellow light flashes and the buzzer beeps 3 times the new code is invalid and the code input process will have to be repeated



OPENING DOOR

- 1 Input your 3-8 digit code by pressing on the number pad
 - 2 Press (A) or (B) button
 - 3 Wait for the green light and a single beep
 - 4 Turn the master knob clockwise to open door
- * 3 continuous wrong entries will activate the warning beep for 20 seconds.
Use emergency override key to open and stop beeping

MOUNTING

- Safe can be mounted to any surface using supplied bolts
- 1 Open safe and locate the predrilled holes on the back or bottom of the safe
 - 2 Drill holes for expansion bolts (or clamping screws)
 - 3 Turn the expansion bolts counter clockwise to separate
 - 4 Use the expansion bolts (or clamping screws) to secure the safe to the wall
 - 5 Make sure the safe is mounted in place as required and then tighten all screws
- * Use the **expansion bolts** for concrete surface
* Use **clamping screws** for wood surfaces

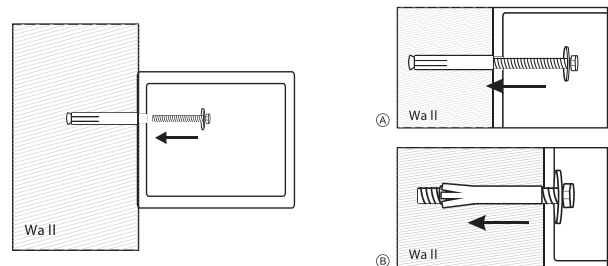
IMPORTANT INFORMATION

- **NEVER** keep your emergency override keys inside your safe
- Safe is only considered secure when fixed to a load bearing wall or joist



SETTING MASTER CODE

- 1 Open the safe, input "0" twice and press reset button, start setting code when the yellow light goes on.
- 2 Input the new master code (3-8 digits), then press "A" (C/#) or "B" (E/*) button to confirm, it will be confirmed by 2 beeps and the yellow light flashes two times, then setting is done successfully.
- 3 If the yellow light flashes three times, it means the new code is invalid and should operate again.



Declaration of conformity

This product complies with the requirement of the below directives:

EMC-Directive: 14 / 30 / EU, CE Marking: 93 / 68 / EEC,

RoHS Directive: 11 / 65 / EU & 15 / 863 / EU

The detailed declaration of conformity can be found at

www.united-electronics.gr

NOTICE ABOUT RECYCLING



Your product is designed and manufactured with high quality materials and components which can be recycled and reused. This symbol means that electrical and electronic equipment, at their end-of-life, should be disposed of separately from your household waste. Please dispose of this equipment at your local community waste collection/ recycling centre. In the European Union there are separate collection systems for used electrical and electronic products. Please help us to conserve the environment we live in!